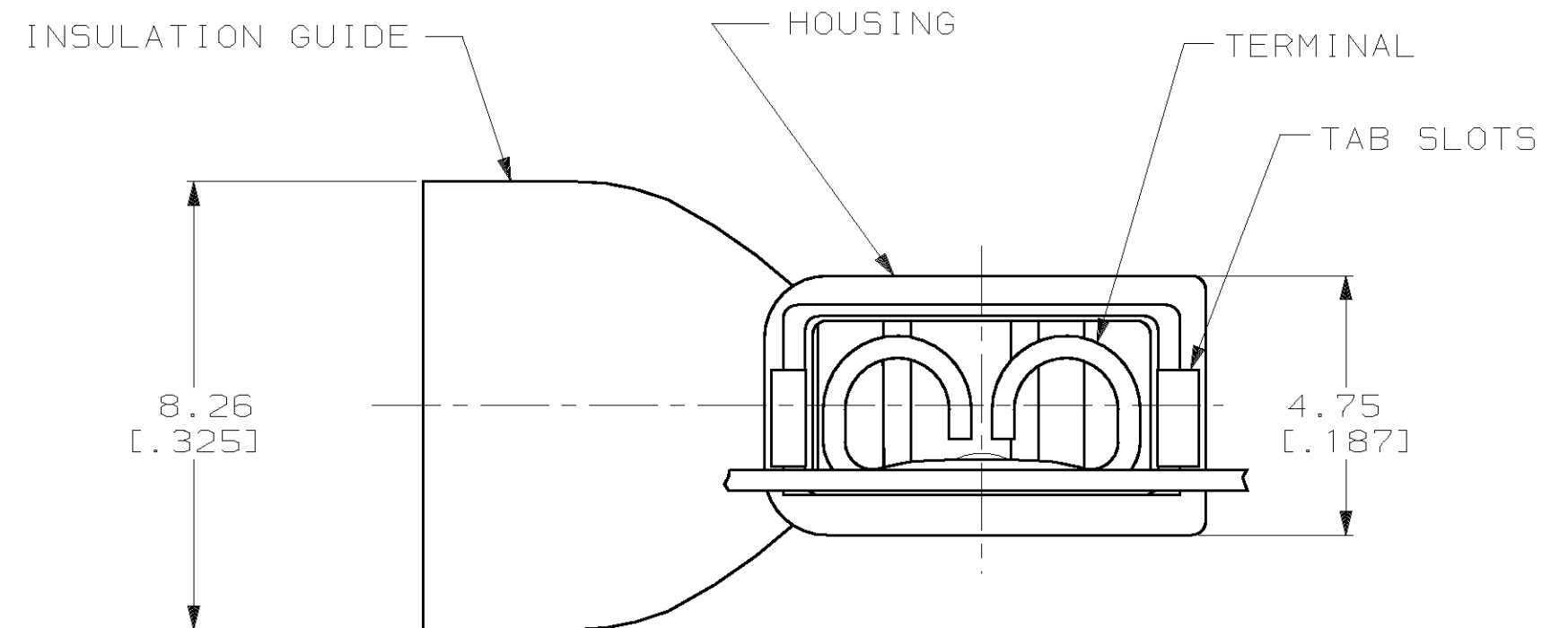
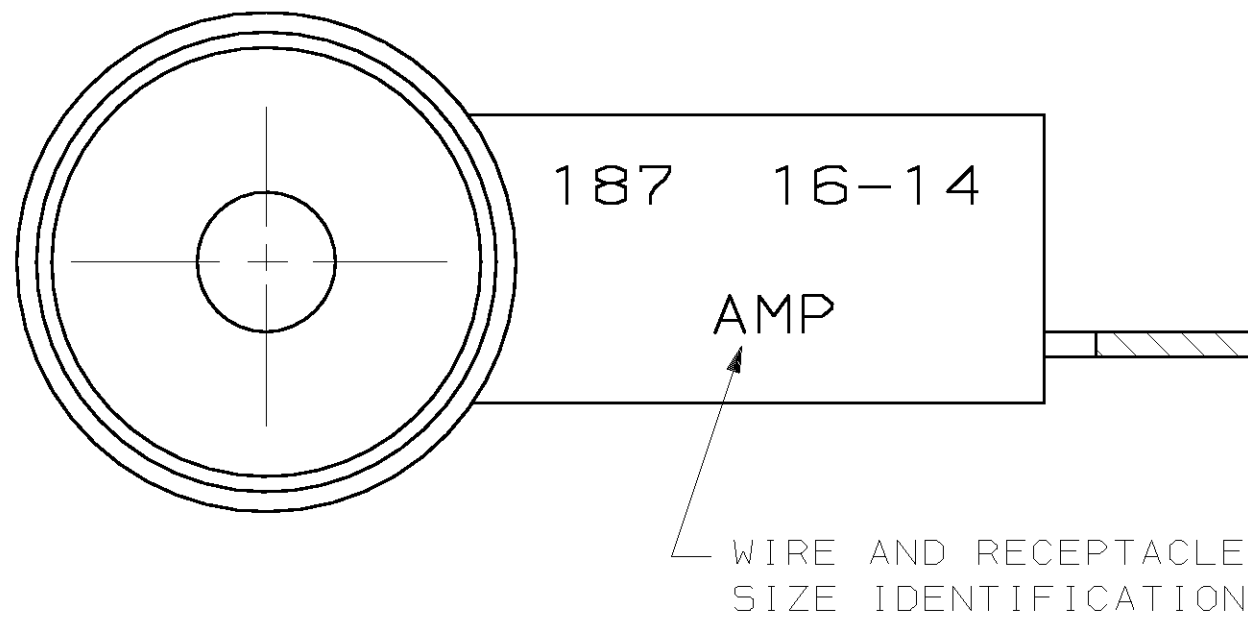
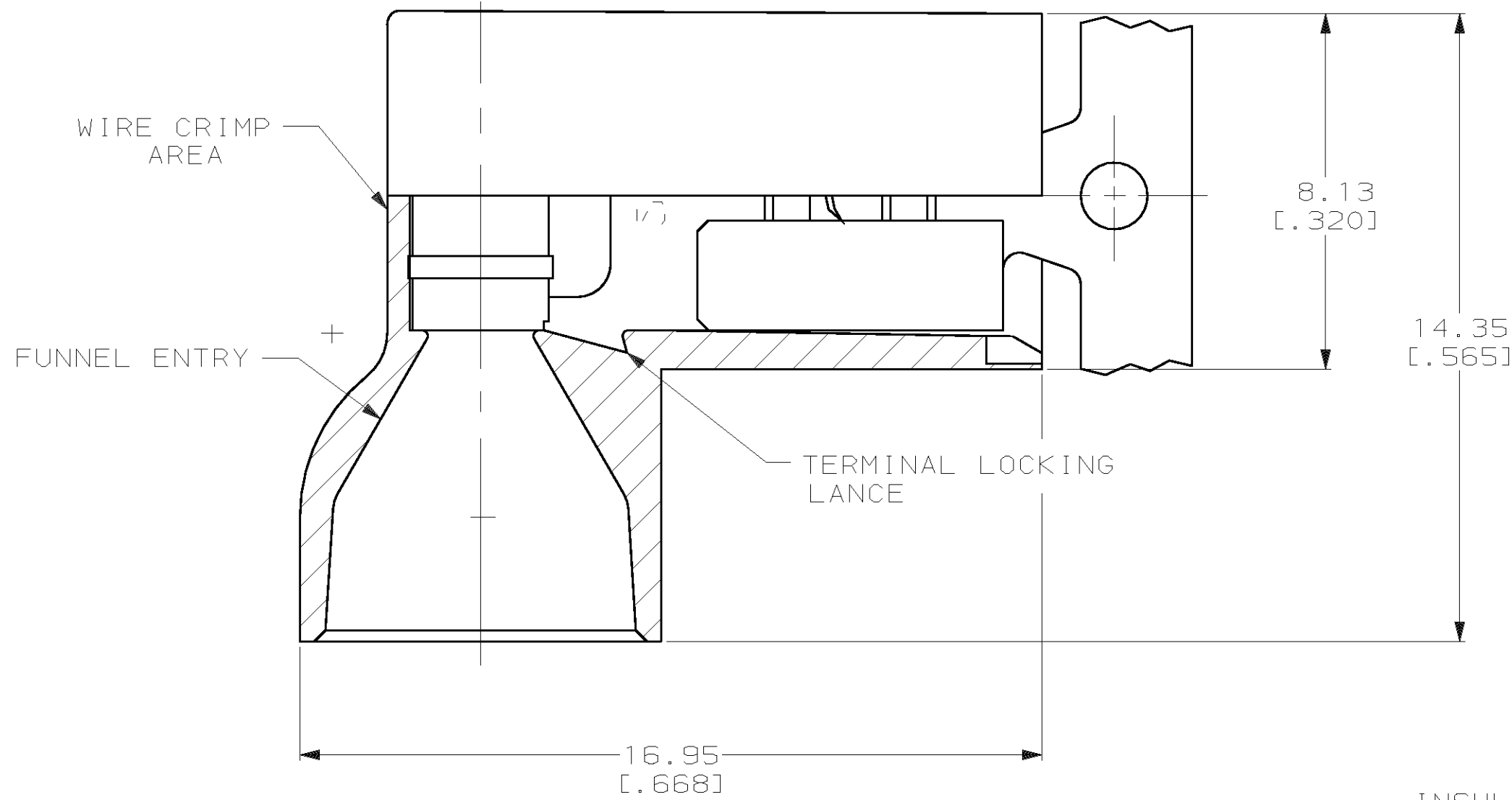


LOC		DIST		REVISIONS				
AF	50	P	F	ZONE	LTR	DESCRIPTION	DATE	APPD
					D	REV PER 0G1A-0149-99	3JUN99	JR/JH

- 1 FITS 0.51±0.025 X 4.75 [.020±.001 X .187] TAB
- 2 WIRE SIZE: 1.3-2.0mm<sup>2</sup> [16-14 AWG], STRANDED ONLY.  
 ONE WIRE STRIP LENGTH 7.94 [.312]  
 TWO WIRE STRIP LENGTH 8.51 [.335]
- 3 INSULATION SIZE: 6.60 [.260] MAX DIA.
- 4 CONTINUOUS STRIP.



TYPE 6/6 NYLON	BLUE TRANSLUCENT	0.41 [.016] #4H BRASS	0.002032 [.000080] MIN TIN PLATE	3-520997-2
MATERIAL	COLOR	MATERIAL	FINISH	PART NO

HOUSING		TERMINAL		PART NO	
DO NOT SCALE PRINT. UNLESS SPECIFIED DIMENSIONS IN mm [INCHES] TOLERANCES ON : 2 PLC DEC ± 0.25 [.010] 3 PLC DEC ± - ANGLES ± -	DR 7/23/92 JR RUTH	AMP Incorporated Harrisburg, PA 17105-3608			
SEE TABLE	CHK 7/23/92 MS FEHER				
MATERIAL	APPD 7/23/92 D BRATINA	NAME RECEPTACLE, ASSEMBLY, FLAG, ULTRA-FAST, .187 SERIES			
SEE TABLE	APPD 7/23/92 V KARA.				
FINISH	PRODUCT SPEC 108-2043	SIZE	CAGE CODE	DRAWING NO	
SEE TABLE	APPLICATION SPEC 114-2123	③	00779	③=520997	
	WEIGHT -	SCALE	8:1	SHEET	1 OF 1

THIS DRAWING IS A CONTROLLED DOCUMENT FOR AMP INCORPORATED. IT IS SUBJECT TO CHANGE AND THE CONTROLLING ENGINEERING ORGANIZATION SHOULD BE CONTACTED FOR THE LATEST REVISION.